

Installer's Reference

UC-12-388-R0-012621



Me and My Pal Bench

Know What's Below

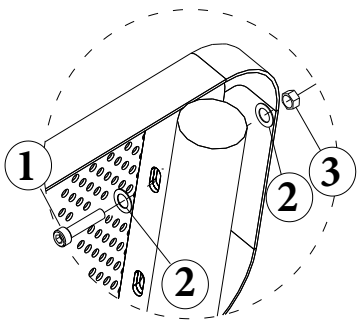
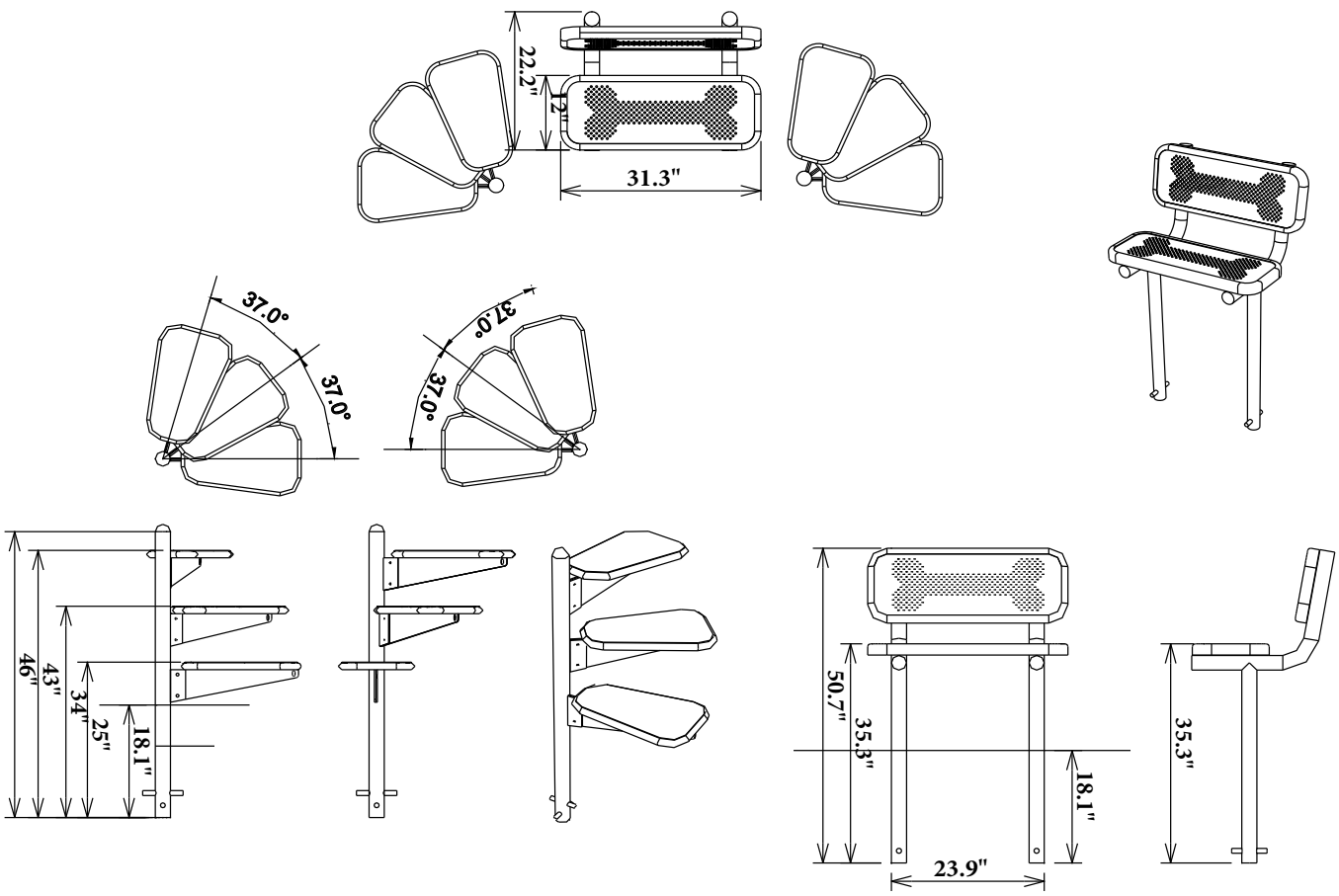
As with all projects involving digging, start by knowing what is in the ground below. Underground utilities may include cable, electric, sprinklers, sewer, water, telecommunications, drainage pipes and sprinklers. You can usually accomplish this with one phone call (Dial 811) to your state's underground utility service.

Conduct an Inventory

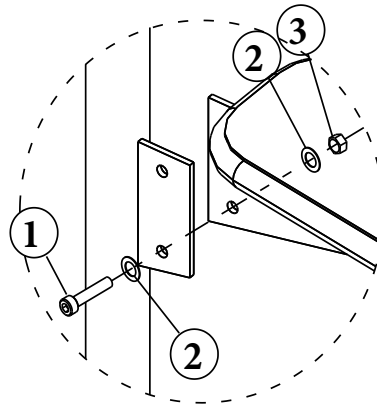
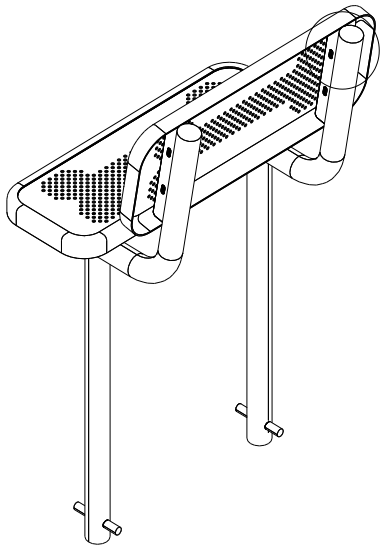
Begin installation with of hardware and parts, assuring everything you need is onsite when you begin.

| NO. | ITEMS NAME | PICT | COLOR | QTYS | PKG NO. | PKGS | SET | |
|-----|------------|------|---------------|------|---------|------|-----|---|
| 1 | STEP | | Green or Blue | 1 | PC | 1 | 10 | 1 |
| 2 | STEP | | Green or Blue | 1 | PC | 2 | | |
| 3 | STEP | | Green or Blue | 1 | PC | 3 | | |
| 4 | STEP | | Green or Blue | 1 | PC | 4 | | |
| 5 | STEP | | Green or Blue | 1 | PC | 5 | | |
| 6 | STEP | | Green or Blue | 1 | PC | 6 | | |
| 7 | Bench | | Green or Blue | 1 | PC | 7 | 10 | 1 |
| 8 | Bench | | Green or Blue | 1 | PC | 8 | | |
| 9 | Post | | Tan | 2 | PCS | 9 | | |
| 10 | Post | | Tan | 2 | PCS | 10 | | |

| | Image | Description | QT | Pck |
|----------|-------|-----------------------------------|----|-----|
| Hardware | | TAMPER RESISTANT TORX-BOLT M10X30 | 20 | 1 |
| | | FLAT WASHER M10 | 40 | |
| | | LOCK NUT M10 | 20 | |



1. TAMPER RESISTANT TORX-BOLT, M10x30 (8)
2. FLAT WASHER, M10 (16)
3. LOCK NUT, M10 (8)



1. TAMPER RESISTANT TORX-BOLT, M10x30 (12)
2. FLAT WASHER, M10 (24)
3. LOCK NUT, M10 (12)

