



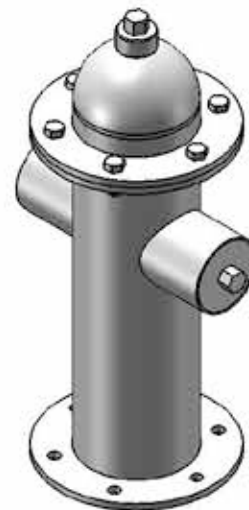
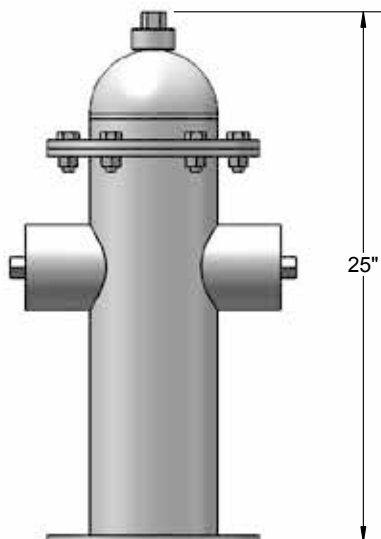
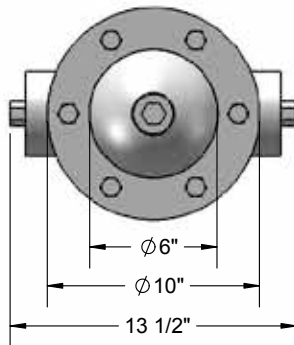
Fire Hydrant

Know What's Below. As with all projects involving digging, start by knowing what is in the ground below. Underground utilities may include cable, electric, sprinklers, sewer, water, telecommunications, drainage pipes and sprinklers. You can usually accomplish this with one phone call (Dial 811) to your state's underground utility service.

Conduct an Inventory. Begin installation with of hardware and parts, assuring everything you need is onsite when you begin.

Construction: Fire Hydrant is constructed using 6"dia. x 11ga. and 4"dia. x 11ga. tubing and 3/8" plates all electrically MIG welded together.

Coating: Oven fused functionalized polyethylene copolymer-based thermoplastic. Fluidized bed coating application with superior mechanical performance, impact resistance and UV-stability.



Recommended surface mount hardware:
3/8" x 3 1/2" Concrete Expansion Anchor Bolts (NOT INCLUDED)