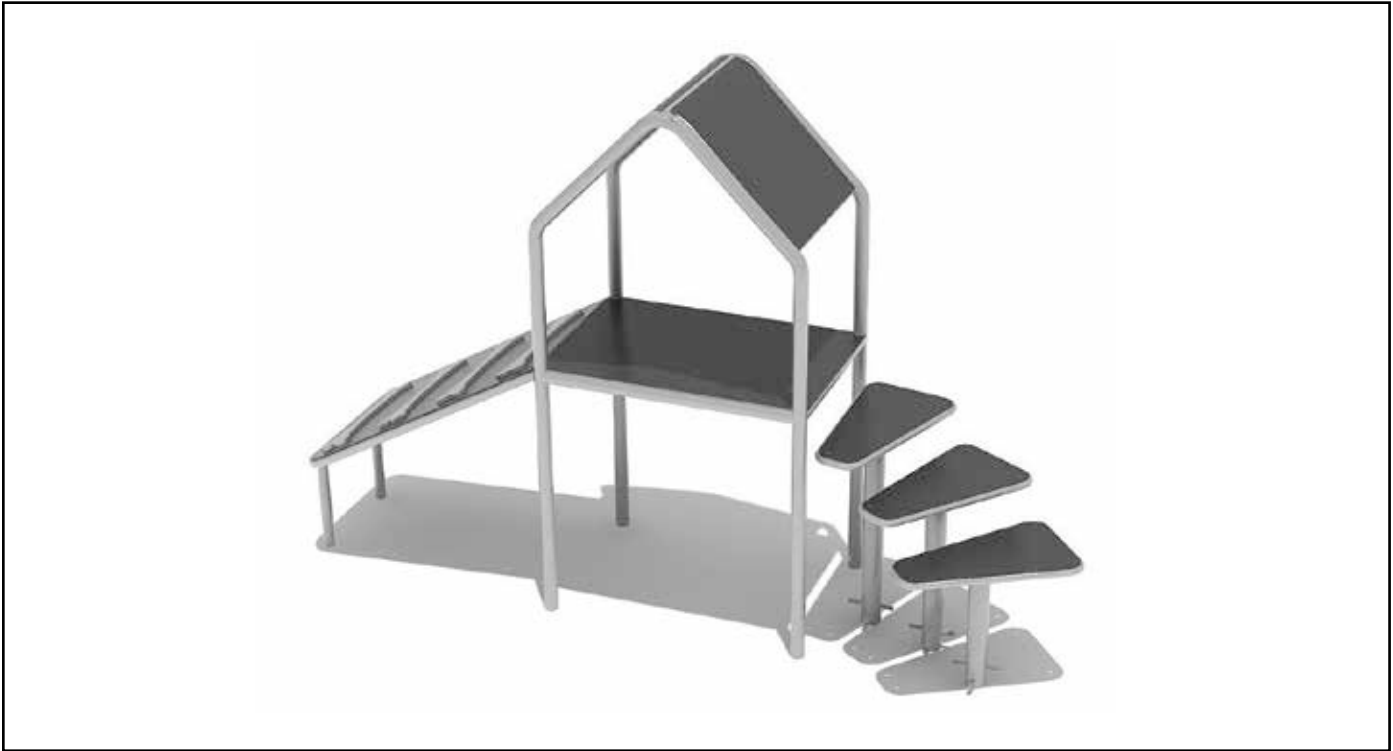


Installer's Reference



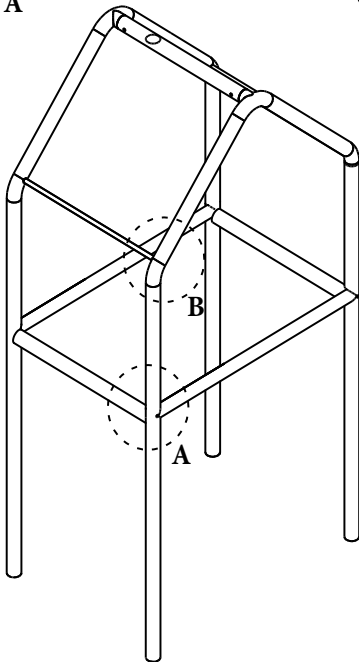
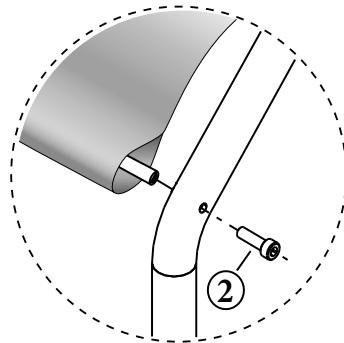
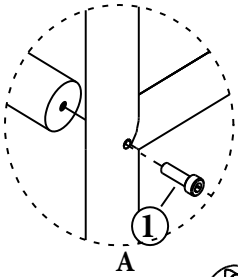
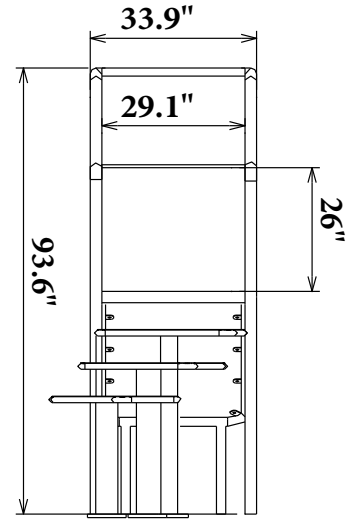
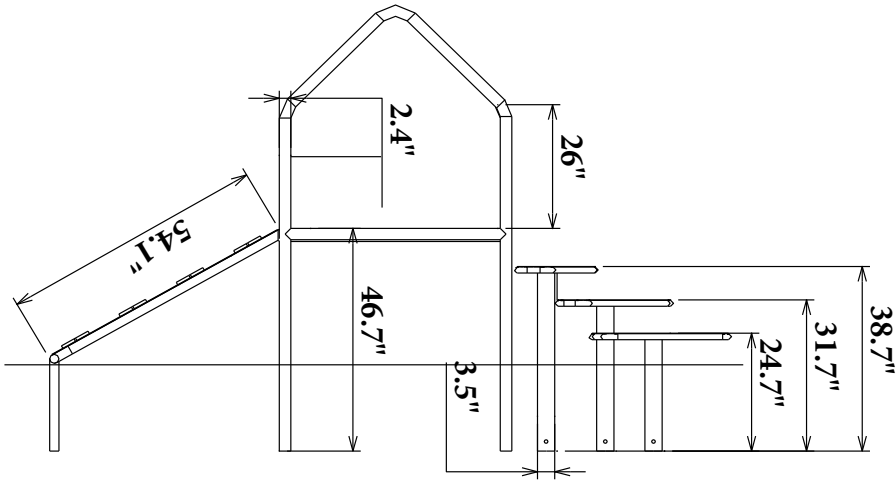
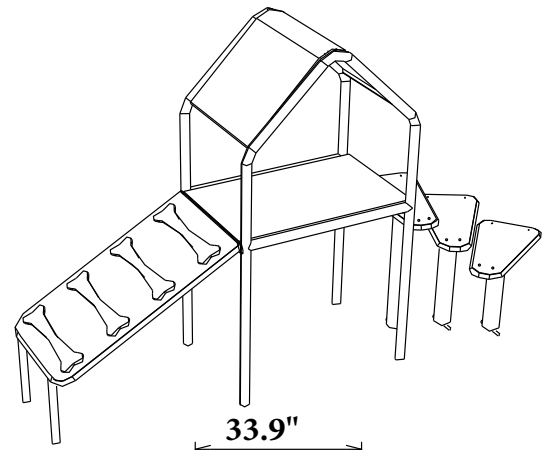
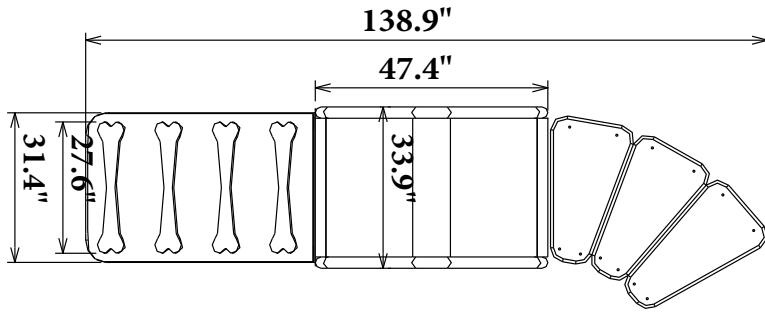
Canine Condo

Know What's Below

As with all projects involving digging, start by knowing what is in the ground below. Underground utilities may include cable, electric, sewer, water, telecommunications, drainage pipes and sprinklers. You can usually accomplish this with one phone call (Dial 811) to your state's underground utility service.

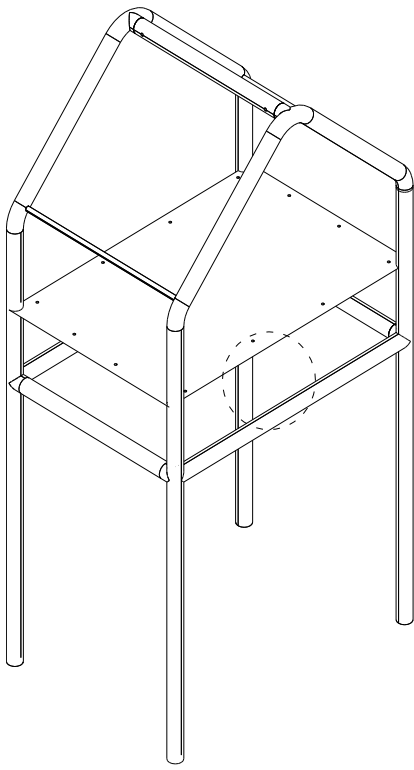
Conduct an Inventory

Begin installation with an inventory of hardware and parts, assuring everything you need is onsite when you begin.



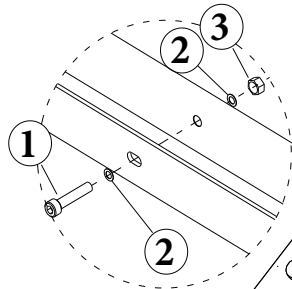
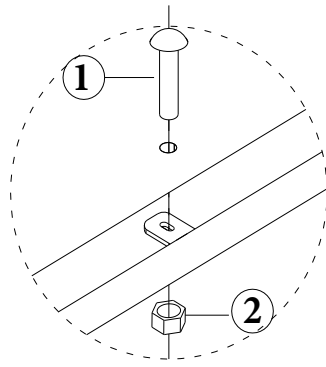
INSERT SMALLER RODS INTO FABRIC ROOF SLEEVES AND ASSEMBLE FRAME

1. TAMPER RESISTANT TORX BOLT, M10x80 (4)
2. TAMPER RESISTANT TORX BOLT, M8x80 (6)



ASSEMBLE FLOOR

- 1. TAMPER RESISTANT TORX BOLT, M10x25 (12)
- 2. LOCK NUT, M10 (12)



ASSEMBLE RAMP

- 1. TAMPER RESISTANT TORX BOLT, M10x80 (3)
- 2. FLAT WASHER, M10 (6)
- 3. LOCK NUT, M10 (12)

